

## Marine Genset- CCFJ250J-WY

### Gen-Set Specifications

<b>GenSet Model</b>	CCFJ250J-WY	
Power Factor	0.8-3 phase	
Frequency	Voltage	Prime
50Hz	400V	250kW
60Hz	440V	250kW



### Standard Features

◆ Mechanical/Electronic governor	◆ DC24V Electric starter	◆ Dual-circulate water-cooled
◆ IP23	◆ H type insulation	◆ Shutoff electronic solenoid
◆ Instrument	◆ Common high pressure pipe	◆ CCS certification
◆ Spare Parts & Tools	◆ Documents	◆ Packaging: plywood
◆ Paralleling function	◆ Alternator anti-condensation	

### Options

◇ Remote Control Panel	◇ Electric potentiometer	◇ Alternator winding temperature alarm
◇ Engine Heater (water & oil heater)		

### Engine Specifications

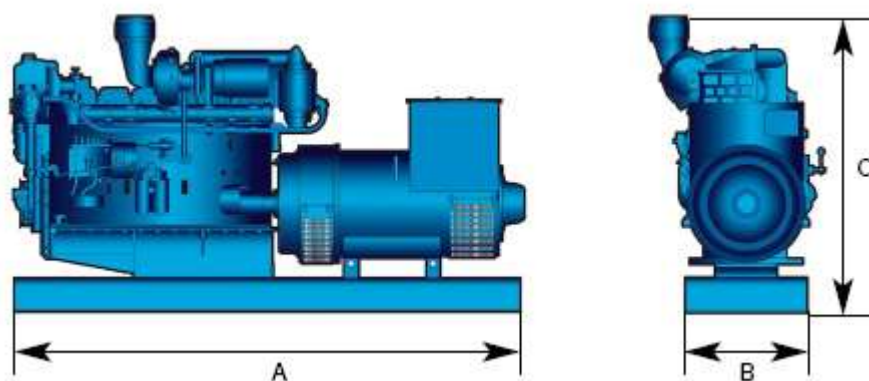
Engine Make & Model	Weichai WP12CD317E200	WP12CD317E201
	(50HZ)	(60HZ)
Rated Speed	1500 rpm	1800rpm
Prime Power	288 kW	
Bore & Stroke	126x155 mm	
Displacement	11.596	
Cylinder Number	6	
Fuel System	Mechanical Pump	
Governor Method	Mechanic	
Aspiration	Turbocharged and Aftercooled	
Starting Method	24V electric starter and battery charging alternator	

## Alternator Specifications

Alternator Make	CSIEM	
Alternator Model	1FC2 351-4	1FC2 351-4
Bearing Nos	1	
Insulation Class	H	
Steady-State Volt Adjustable Rate	$\leq \pm 2.5\%$	
IP class	IP23	
Winding Way	6	
Excitation Mod	Brushless	
Rated Power Factor	0.8	

## Dimensions

	Length	Width	Height	Weight
CCFJ250J-WY	2669 mm	1000mm	1572 mm	2151 kg



## Sales Promises

Weichai Power provides a full line of brand new and high quality products. Each and every unit is strictly factory tested.

Warranty time: 1 year

Service and parts are available from Weichai Power or distributors in your location.

Distributed By:

Manufacturer: Weichai Power Co., Ltd  
Address: 197 A, Fushou East Street, High-Tech  
Development Zone, Weifang, China  
[www.weichai.com](http://www.weichai.com)

